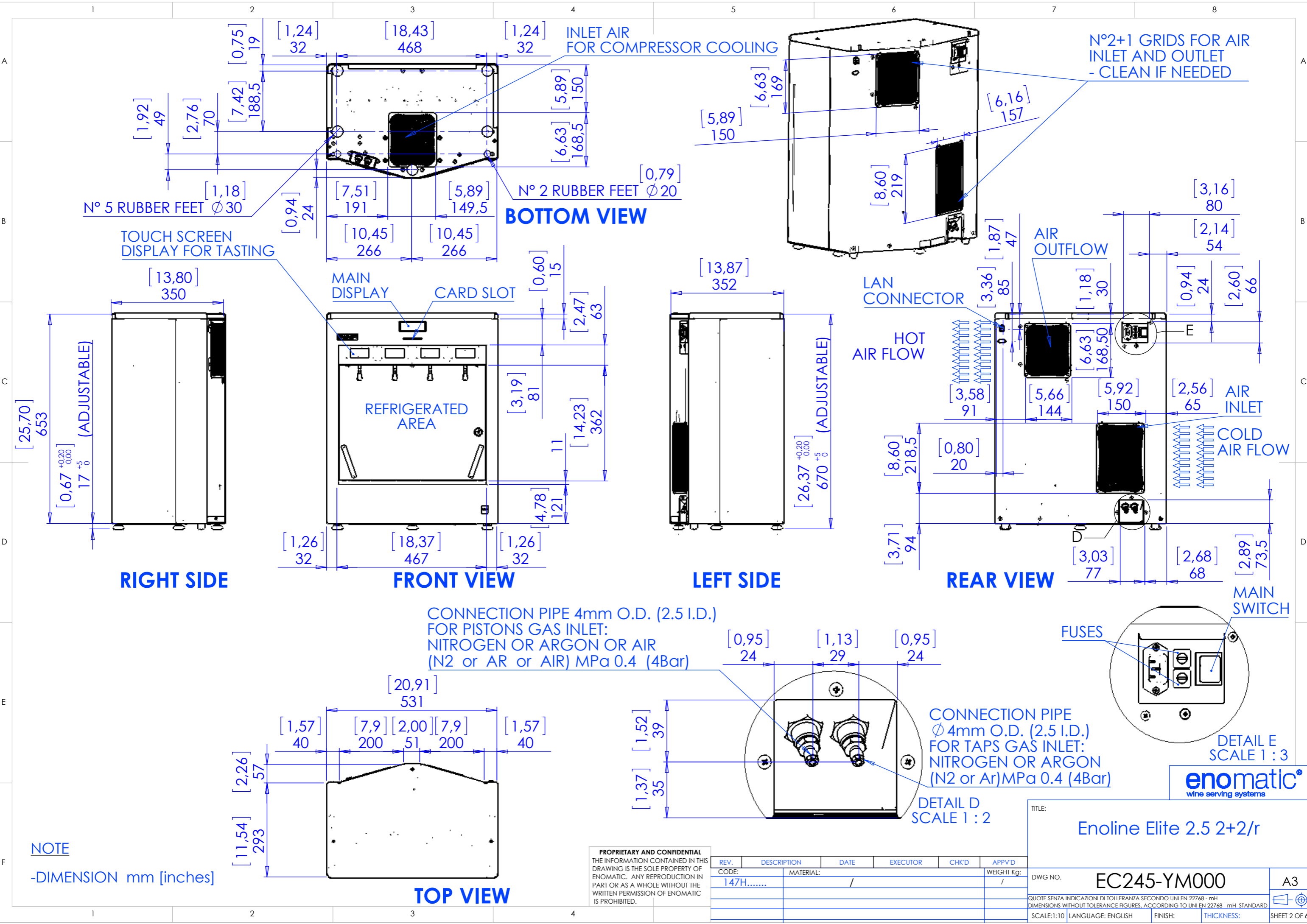




TITLE:		Enoline Elite 2.5 2+2/r	
DWG NO.	EC245-YM000		A3
<small>QUOTE SENZA INDICAZIONI DI TOLLERANZA SECONDO UNI EN 22768 - mH DIMENSIONS WITHOUT TOLERANCE FIGURES, ACCORDING TO UNI EN 22768 - mH. STANDARD</small>			
SCALE: 1:5	LANGUAGE: ENGLISH	FINISH:	THICKNESS:
			SHEET 1 OF 6

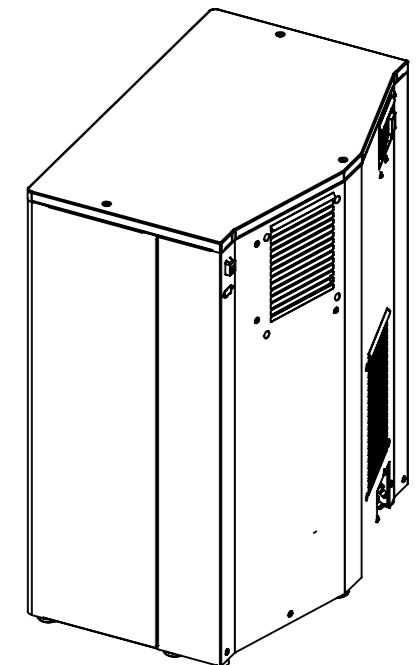
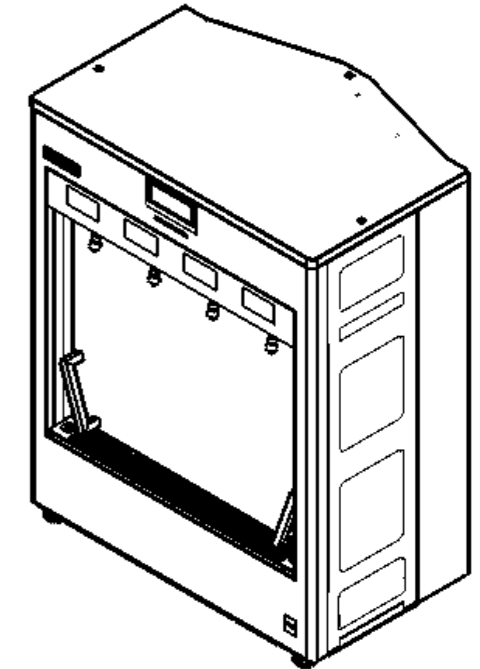
PROPRIETARY AND CONFIDENTIAL
 THE INFORMATION CONTAINED IN THIS DRAWING IS THE SOLE PROPERTY OF ENOMATIC. ANY REPRODUCTION IN PART OR AS A WHOLE WITHOUT THE WRITTEN PERMISSION OF ENOMATIC IS PROHIBITED.

REV.	DESCRIPTION	DATE	EXECUTOR	CHK'D	APPV'D
01	GENERAL REVISION	02/11/2015	PANICHI		
00	ISSUE	05/08/2015	M. BAGNOLI		
CODE: 147H.....		MATERIAL: /		WEIGHT Kg: /	



ENOLINE ELITE 2.5 2+2/r

SIZE	HEIGHT (MIN -MAX)	670-675 mm [26.37-26.58]				
	DEPTH	352 mm [13.87]				
	WIDTH	531 mm [20.91]				
WEIGHT (Kg)	43 Kg					
FINISH MATERIALS	STAINLESS STEEL AISI 304 - PAINTED STEEL					
ELETRICAL FEATURES	AVAILABLE MODELS					
	VOLTAGE (V)	100	115	110-127	200-220	220-240
	FREQUENCY (Hz)	50-60	60	60	50-60	50
	POWER (W)	115	115	115	115	115
	FUSES	2X8Amp@125V	2X8Amp@V125	2X8Amp@125V	2X8Amp@250V	2X8Amp@250V
COMPRESSOR SPECIFICATIONS	REFRIGERATION GAS	R-134A				
	TEMPERATURE CONTROL	ELECTRONIC CONTROLLER				
	DEFROST METHOD	AUTOMATIC VIA ELECTRONIC CONTROLLER				
	METHOD FOR TEMPERATURES DISPLAYING	DIGITAL				
PRESSURE GAS FOR TAPS (ARGON OR NITROGEN)		MPa 0.4 (4 Bar)				
PRESSURE GAS FOR PISTONS (ARGON OR NITROGEN OR AIR)		MPa 0.4 (4 Bar)				
ACCEPTED BOTTLES	HEIGHT	280÷360mm [11.024÷14.173]				
	Ø MAX	102mm [4.016]				



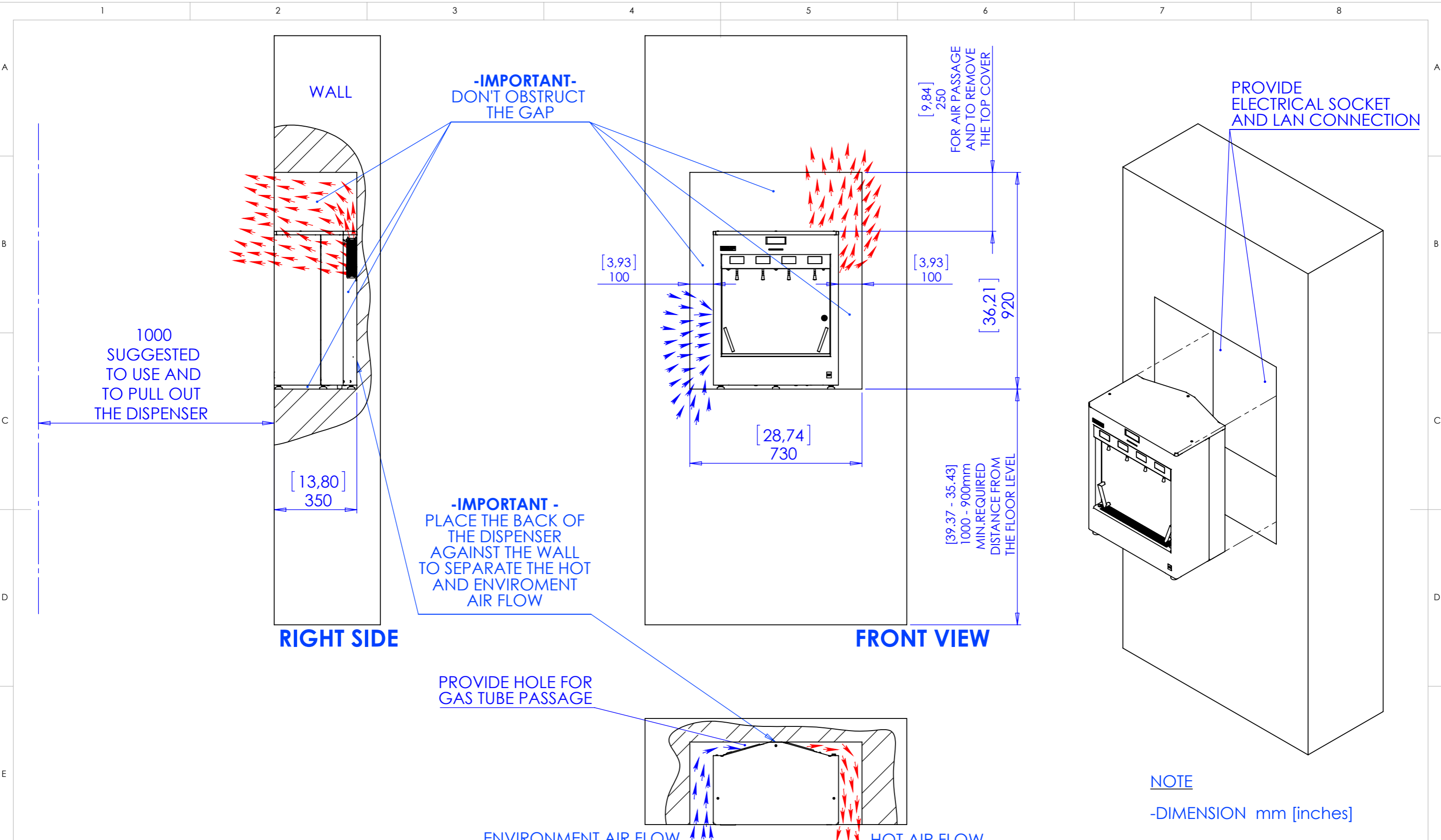
NOTE

-DIMENSION mm [inches]

PROPRIETARY AND CONFIDENTIAL
 THE INFORMATION CONTAINED IN THIS DRAWING IS THE SOLE PROPERTY OF ENOMATIC. ANY REPRODUCTION IN PART OR AS A WHOLE WITHOUT THE WRITTEN PERMISSION OF ENOMATIC IS PROHIBITED.

REV.	DESCRIPTION	DATE	EXECUTOR	CHK'D	APPV'D
CODE:	MATERIAL:				WEIGHT Kg:
147H.....	/				/

TITLE:	Enoline Elite 2.5 2+2/r	
DWG NO.	EC245-YM000	A3
<small>QUOTE SENZA INDICAZIONI DI TOLLERANZA SECONDO UNI EN 22768 - mH DIMENSIONS WITHOUT TOLERANCE FIGURES, ACCORDING TO UNI EN 22768 - mH. STANDARD</small>		
SCALE:1:10	LANGUAGE: ENGLISH	FINISH: THICKNESS: SHEET 3 OF 6



**1 -INSTALLATION EXAMPLE-
POSITIONING IN FORESEEN BOX
(DIMENSION IN mm [inches] ,REFER
TO MINIMAL REQUIRED CLEARANCE
FOR PROPER PERFORMANCES)**

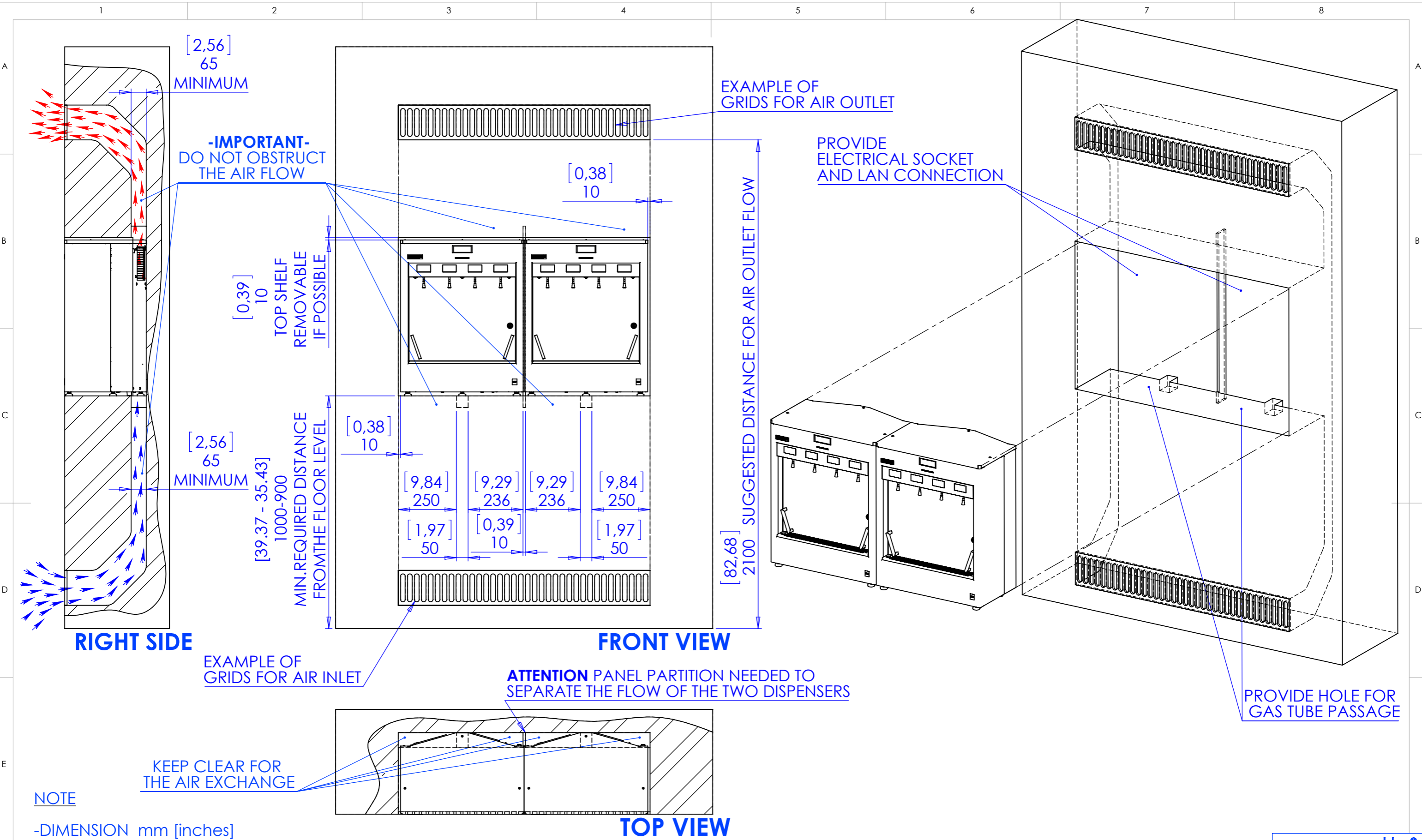
NOTE
-DIMENSION mm [inches]



TITLE:		Enoline Elite 2.5 2+2/r	
DWG NO.	EC245-YM000	A3	
QUOTE SENZA INDICAZIONI DI TOLLERANZA SECONDO UNI EN 22768 - mH DIMENSIONS WITHOUT TOLERANCE FIGURES, ACCORDING TO UNI EN 22768 - mH STANDARD			
SCALE:1:15	LANGUAGE: ENGLISH	FINISH:	THICKNESS:

PROPRIETARY AND CONFIDENTIAL
THE INFORMATION CONTAINED IN THIS DRAWING IS THE SOLE PROPERTY OF ENOMATIC. ANY REPRODUCTION IN PART OR AS A WHOLE WITHOUT THE WRITTEN PERMISSION OF ENOMATIC IS PROHIBITED.

REV.	DESCRIPTION	DATE	EXECUTOR	CHK'D	APPV'D
CODE:	MATERIAL:				WEIGHT Kg:
147H.....	/				/



2 -INSTALLATION EXAMPLE-BUILT IN INSTALLATION EXAMPLE (DIMENSION IN mm [inches],REFER TO MINIMAL REQUIRED CLEARANCE FOR PROPER PERFORMANCES)

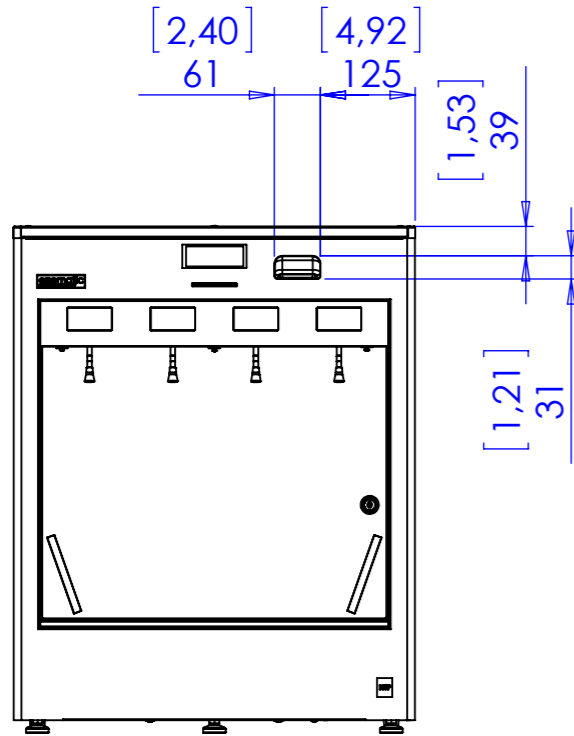


TITLE:		Enoline Elite 2.5 2+2/r	
DWG NO.	EC245-YM000	A3	
QUOTE SENZA INDICAZIONI DI TOLLERANZA SECONDO UNI EN 22768 - mH			
DIMENSIONS WITHOUT TOLERANCE FIGURES, ACCORDING TO UNI EN 22768 - mH STANDARD			
SCALE:1:15	LANGUAGE: ENGLISH	FINISH:	THICKNESS:
SHEET 5 OF 6			

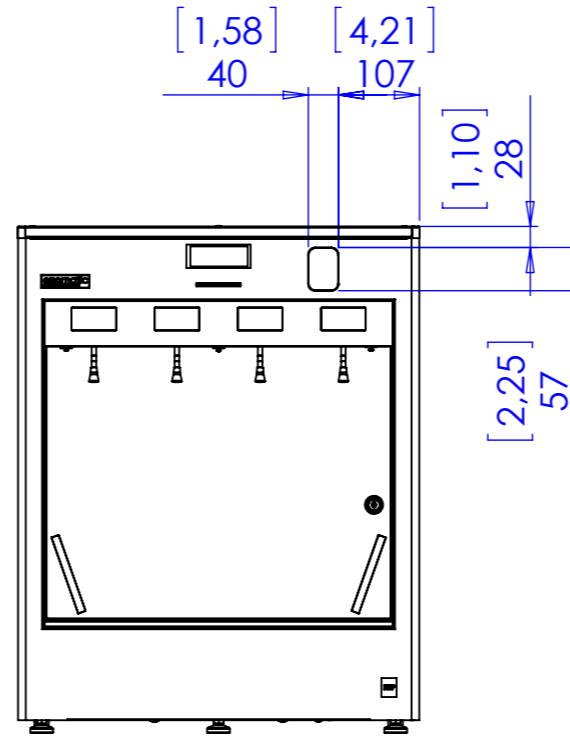
PROPRIETARY AND CONFIDENTIAL
 THE INFORMATION CONTAINED IN THIS DRAWING IS THE SOLE PROPERTY OF ENOMATIC. ANY REPRODUCTION IN PART OR AS A WHOLE WITHOUT THE WRITTEN PERMISSION OF ENOMATIC IS PROHIBITED.

REV.	DESCRIPTION	DATE	EXECUTOR	CHK'D	APPV'D
CODE:	MATERIAL:				WEIGHT Kg:
147H.....	/				/

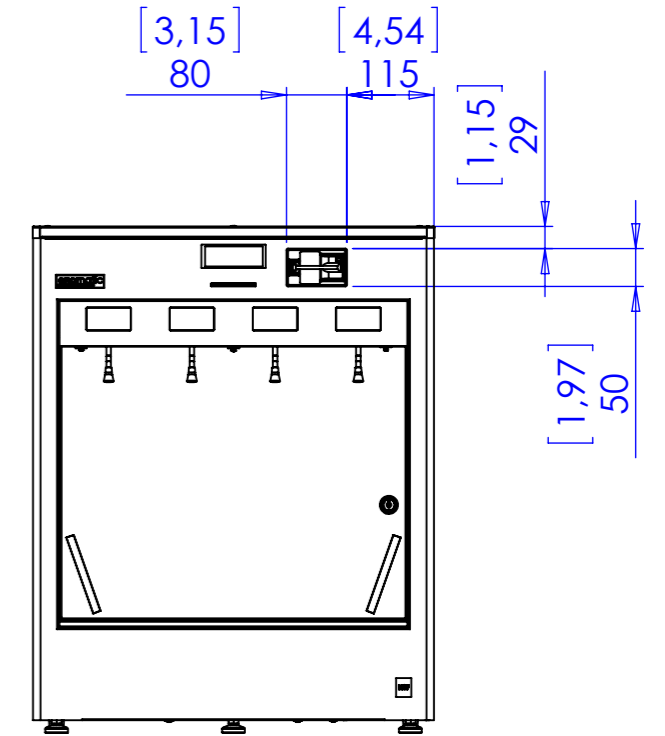
ENOLINE ELITE 2.5 2+2/r CUSTOM CONFIGURATION



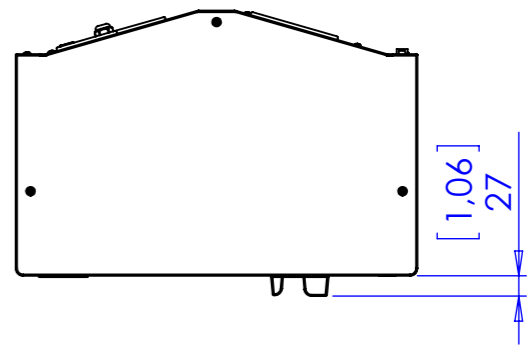
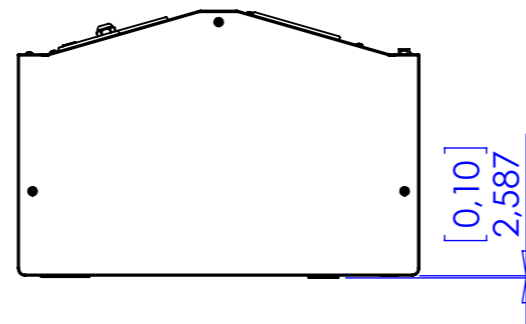
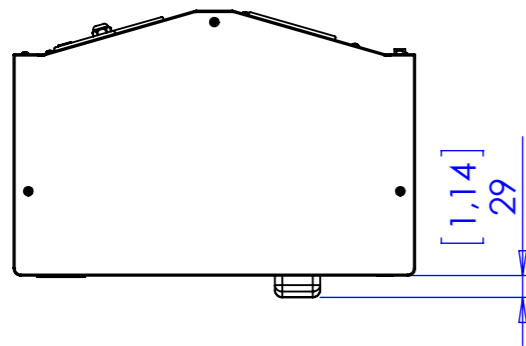
BARCODE READER



FINGERPRINT READER



MAGNETIC READER



NOTE
-DIMENSION mm [inches]

PROPRIETARY AND CONFIDENTIAL
THE INFORMATION CONTAINED IN THIS DRAWING IS THE SOLE PROPERTY OF ENOMATIC. ANY REPRODUCTION IN PART OR AS A WHOLE WITHOUT THE WRITTEN PERMISSION OF ENOMATIC IS PROHIBITED.

REV.	DESCRIPTION	DATE	EXECUTOR	CHK'D	APP'VD
CODE:	MATERIAL:				WEIGHT Kg:
147H.....	/				/



TITLE:	Enoline Elite 2.5 2+2/r	
DWG NO.	EC245-YM000	A3
QUOTE SENZA INDICAZIONI DI TOLLERANZA SECONDO UNI EN 22768 - mH DIMENSIONS WITHOUT TOLERANCE FIGURES, ACCORDING TO UNI EN 22768 - mH STANDARD		
SCALE:1:10	LANGUAGE: ENGLISH	FINISH: THICKNESS: